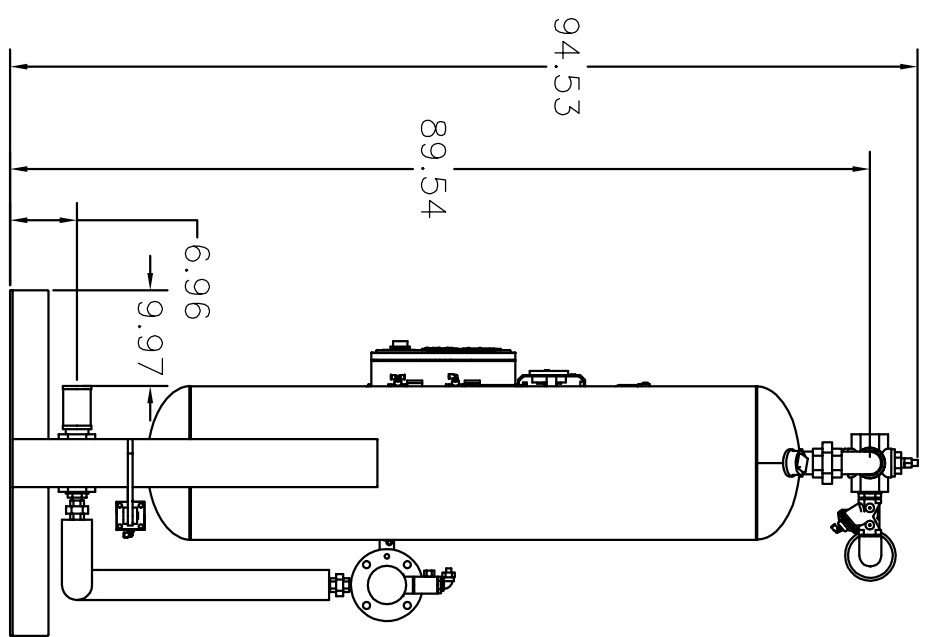
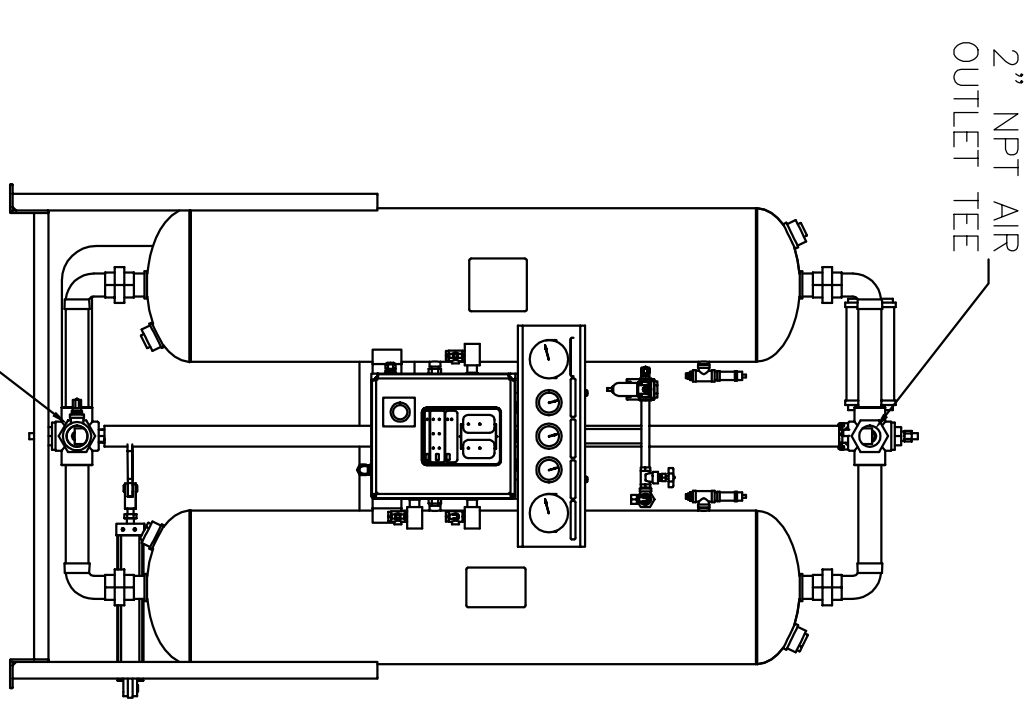
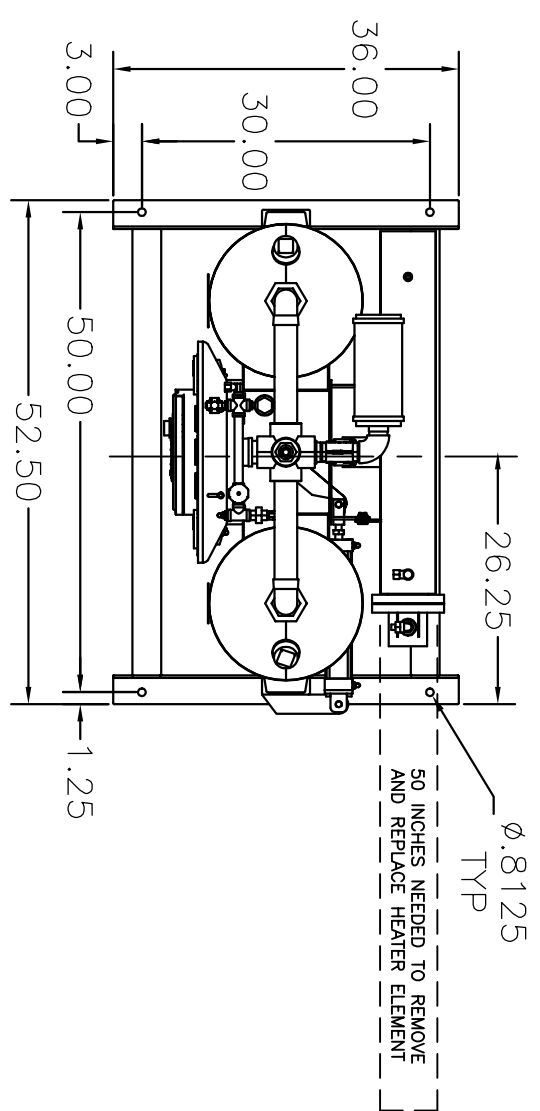


8 7 6 5 4 3 2 1



|   |  |                |  |                                 |  |                  |  |             |  |                  |  |
|---|--|----------------|--|---------------------------------|--|------------------|--|-------------|--|------------------|--|
| <p>HEATED REGEN DRYER<br/>500 SCFM<br/>DIMENSIONED LAYOUT</p> |  | <p>GAUGHAN</p> |  | <p>DO NOT SCALE<br/>DRAWING</p> |  | <p>REVISIONS</p> |  | <p>DATE</p> |  | <p>BY</p>        |  |
| <p>6.01.01</p>  |  | <p>NTS</p>     |  | <p>REVISIONS</p>                |  | <p>DATE</p>      |  | <p>BY</p>   |  | <p>REVISIONS</p> |  |