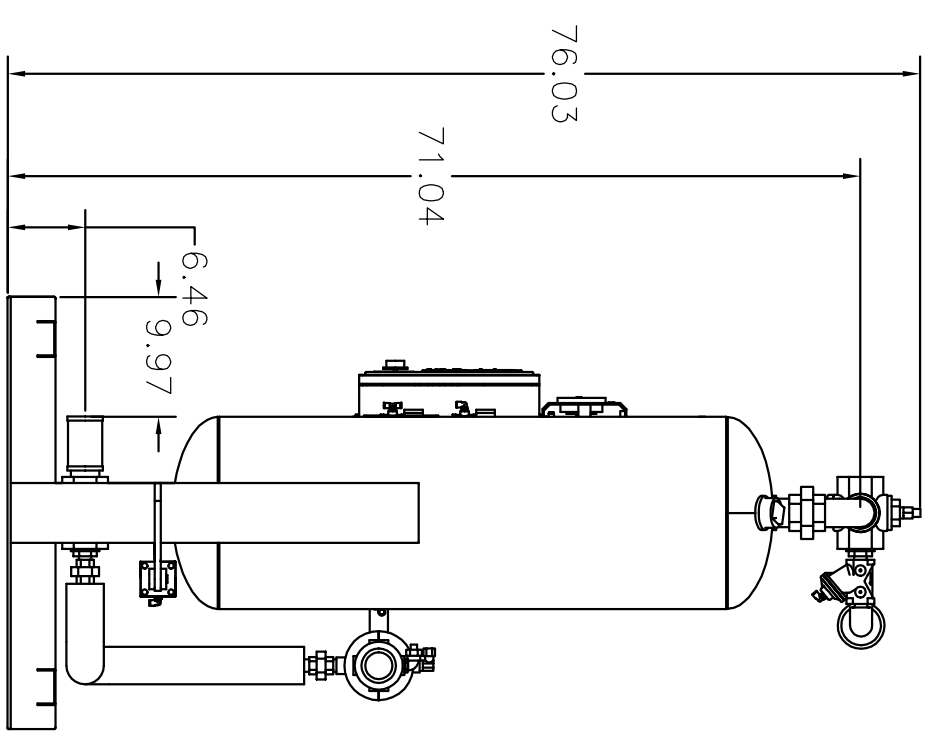
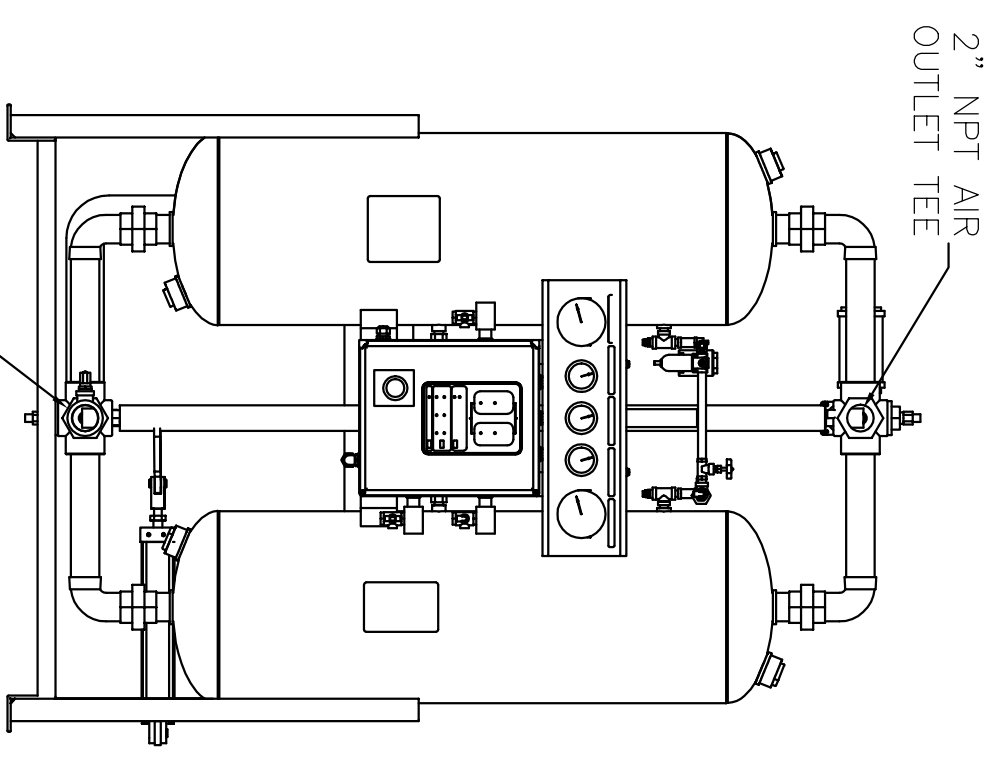
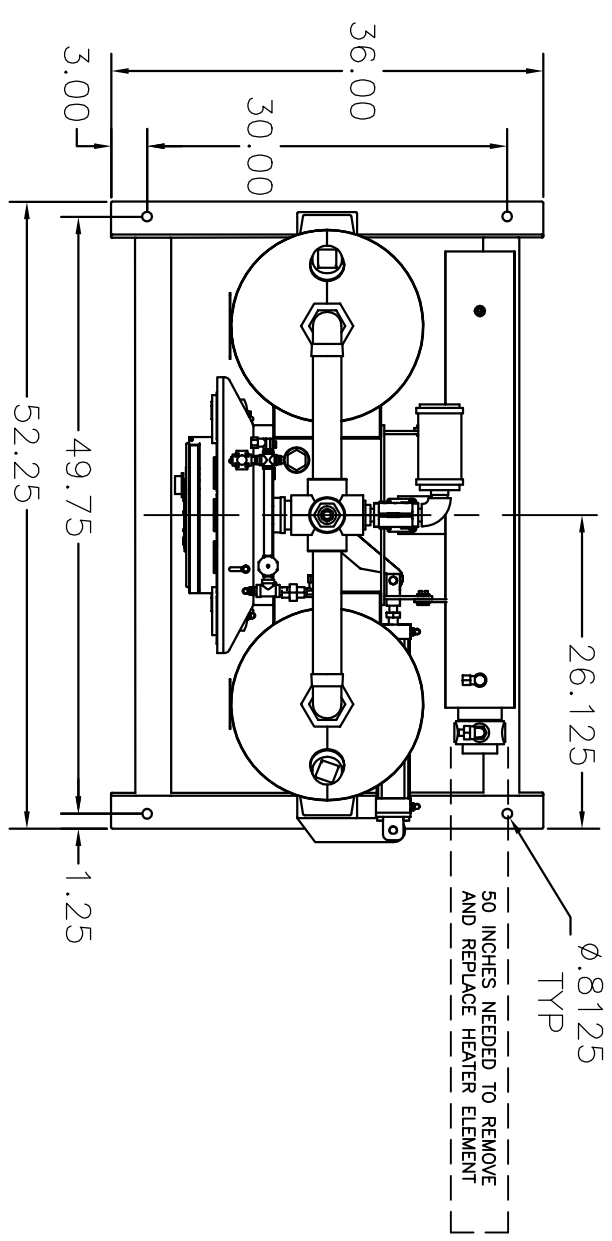


8 7 6 5 4 3 2 1



8 7 6 5 4 3 2 1

| | | | |
|--|--|--------------------|--|
| HEATED REGEN DRYER 300 SCFM DIMENSIONED LAYOUT | | GAUGHAN 6.01.01 | |
| DO NOT SCALE DRAWING | | NTS | |