

McIntireTM

F-Series Air Dryers

DRY AIR TECHNOLOGY

Features:

Refrigerant System

- All Stainless Steel Heat Exchanger
- Combining both Air-to-Air and Refrigerant-to-Air Circuitry
- Highly Efficient Hermetic Compressor
- Copper Tube and Aluminum Fin Condenser
- Quick Response Expansion Valve
- All Electrical Components Easily Accessible
- Universal CFC Free R-134a Refrigerant

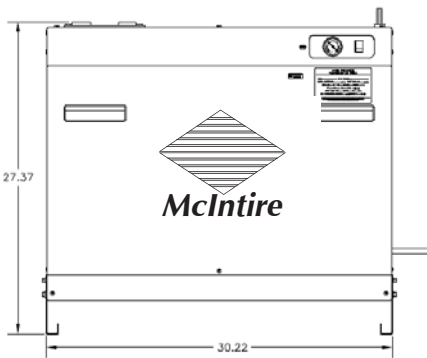
Air System

- Enhanced Condensate Separator Includes
- 40 Micron Sintered Bronze Filter
- Exiting Air Reheated to Eliminate
- Downstream Condensation
- Maximum Pressure Drop Less than 4 psi
- Electronic Timer Drain

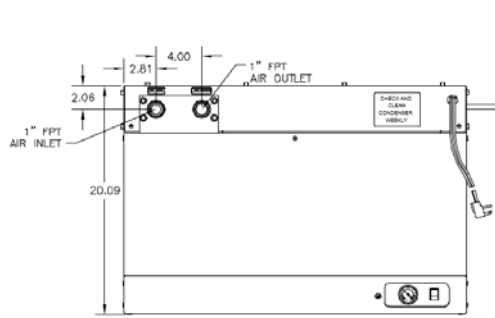


Model F-100

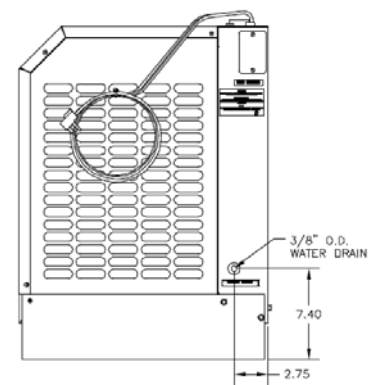
745 Clark Avenue, Bristol, CT 06010 Ph. 800-4-DRYAIR Fax 860-314-4500
Visit our website at www.mcintireco.com



Front View



Top View



Side View

REFRIGERANT SYSTEM

- ◇ All Stainless Steel Heat Exchanger Combining both Air to Air and Refrigerant to Air Circuitry
- ◇ Highly Efficient Hermetic Compressor
- ◇ Thermally Protected
- ◇ Rubber Mounted
- ◇ Copper Tube and Aluminum Fin Condenser
- ◇ Quick Response Expansion Valve
- ◇ All Electrical Components Easily Accessible
- ◇ Universal CFC Free R-134a Refrigerant

AIR SYSTEM

- ◇ Enhanced Condensate Separator Includes 40 Micron Sintered Bronze Filtration
- ◇ Exiting Air is Reheated to Eliminate Downstream Condensation
- ◇ Maximum Pressure Drop Less than 4 psi
- ◇ Electronic Timer Drain

INSTRUMENTATION

- ◇ Power On/Off Switch and Integrated Light
- ◇ Dew Point Indicator Gauge

CABINET

- ◇ New Compact Cabinet Design Incorporates Improved Accessibility and Function
- ◇ Powder Coated Textured Paint Finish
- ◇ Heavy Duty Metal Construction

ELECTRICAL

- ◇ Lowest Power Consumption
- ◇ Several Available Voltages (3)
- ◇ 6' Power Cord

McINTIRE MODEL NUMBER F-100

Specifications

Flow Capacity (1) SCFM 35°F-39°F Dew Point	100 (4)
Flow Capacity (1) SCFM 50°F Dew Point	124
Capacity (2) 2°C PDP M3/Hr. 10°C PDP	170 204
KW Input	.91
Refrigerant Compressor H.P. Rating	1/2
Condenser Type	Air Cooled
Cooling Air Flow	450 CFM
Voltage (3)	1 or 2
Air Line Connection In/Out	1" FPT
Drain Connection	1/4" OD
Height	Inches 27.5 mm. 698
Width	Inches 30.25 mm. 768
Length	Inches 20 mm. 508
Weight	Pounds 190 kg. 86

Standard Features

- △ Power On/Off Switch
- △ Dew Point Indicator Gauge
- △ 2 Year Compressor Warranty
- △ 5 Year Heat Exchanger Warranty

- (1) Flow Rating based on design conditions of 100°F inlet air temperature, 100 psi, 100° ambient air temperature
- (2) Metric flow rating based on design conditions of 32°C inlet air temperature, 7 BARS, 32°C ambient air temperature, 220 volt, single or 3 phase, 50 Hz operation. 43°C absolute maximum ambient air temperature on air cooled units.
- (3) Voltage Code
1-115/1/60 or 100/1/50
2-208-230/1/60 or 220-240/1/50
- (4) Pressure drop rated under 4 PSI

**Your Source For All
Your Dry Air Needs**

