

Refrigerated Air Dryers

NEW

DRY AIR TECHNOLOGY
by **ARROW PNEUMATICS**

Features :

- ◆ 3 in 1 Design Eliminates the Need for an Aftercooler, Separator and Drain Trap Before the Air Dryer
- ◆ Stainless Steel Heat Exchanger
- ◆ Constant 50°F Dew Point at Rated Conditions
- ◆ Filter Element - 40 Micron
- ◆ Dew Point Not Dependent on Absorbing Filter Element
- ◆ Does Not Require Expensive Maintenance Kit
- ◆ Handles Inlet Air Temperature up to 180°F
- ◆ Mechanical Moisture Separator with Zero Loss Demand Drain
- ◆ Dew Point Indicator
- ◆ Air Is Re-Heated to Prevent Pipe Sweating
- ◆ Six Foot Electrical Cord with Grounded Plug
- ◆ Environmentally Safe R-134A Refrigerant
- ◆ Two Year Warranty
- ◆ Five Year Heat Exchanger Warranty

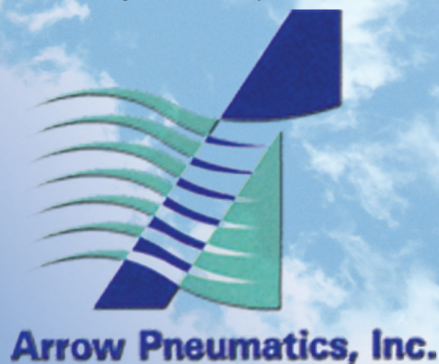


**Model 5028
& 5029**

**Model 5030
& 5031**

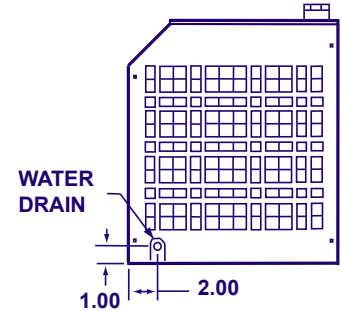
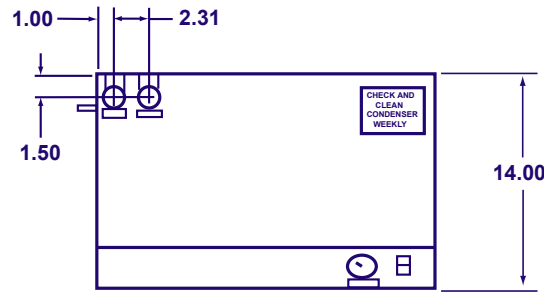
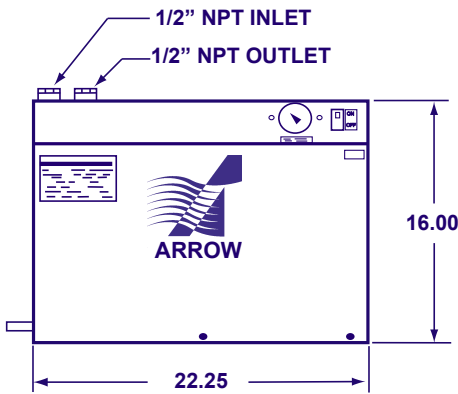
**50 Series Dryers
High Inlet Temperature**

**Features NEW
Cabinet Design**

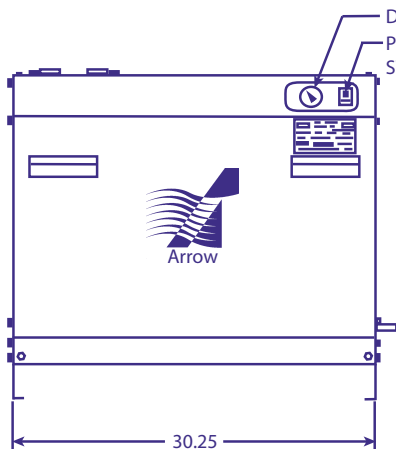


2111 West 21st Street, Broadview, Illinois 60155 Ph. 708-343-9595 Fax 708-343-1907
Visit our website at www.arrowrefrigdryers.com

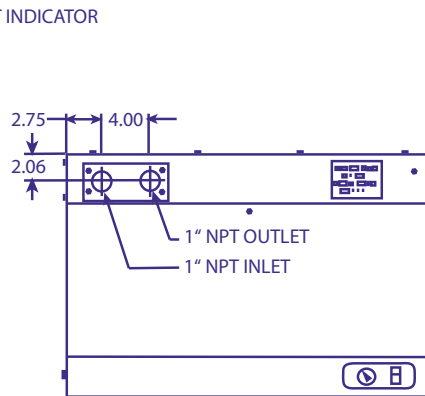
5028 - 5029



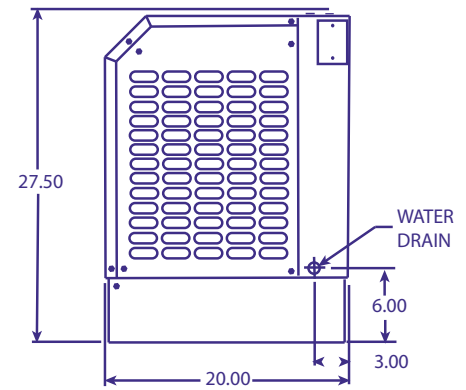
5030 - 5031



Front View



Top View



Side View

Specifications

Model No.	Power Supply	Capacity SCFM @ 100 PSIG	Dimensions (Inches)			Air Line Conn. FPT	Drain Line Conn. O.D.	H.P.	Rerfrig Charge*	Net Wt. Lbs.	Max. Press. PSI	Full Load AMP	KW Input	L.R. AMP
			Length	Height	Width									
5028	115/1/60	21	22	16.0	14	1/2"	3/8"	1/4	12 oz.	78	250	5.9	.58	29
5029	115/1/60	30	22	16.0	14	1/2"	3/8"	1/4	12 oz.	78	250	5.9	.75	29
5030	115/1/60	50	30	27.5	20	1"	3/8"	3/4	2.8 Lbs.	163	250	11	1.89	51.0
5031	115/1/60	70	30	27.5	20	1"	3/8"	1	2.8 Lbs.	278	250	16.9	2.60	78.0

NOTE: Above units are rated for 160°F saturated air inlet temperature due to the fact that there is physically no more moisture heat above this temperature. The units, however, are designed for 180°F inlet air temperature and 100°F ambient temperature. Maximum operating pressure is 250 psig

Your Source For All Your Dry Air Needs



2111 West 21st Street, Broadview, Illinois 60155 Ph. 708-343-9595 Fax 708-343-1907
Visit our website at www.arrowrefrigdryers.com

X1057
0305
sjf