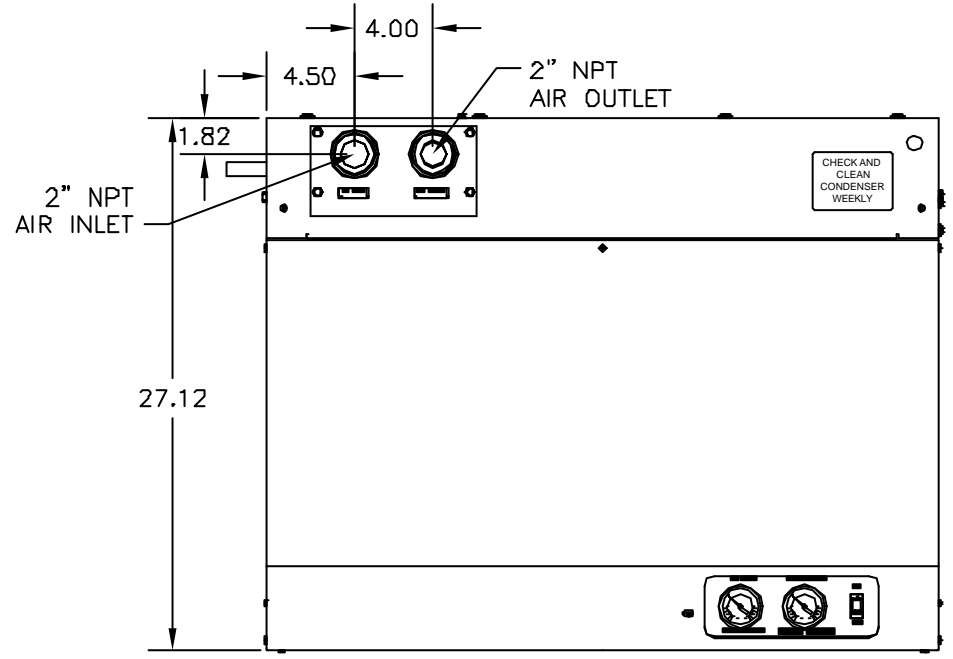
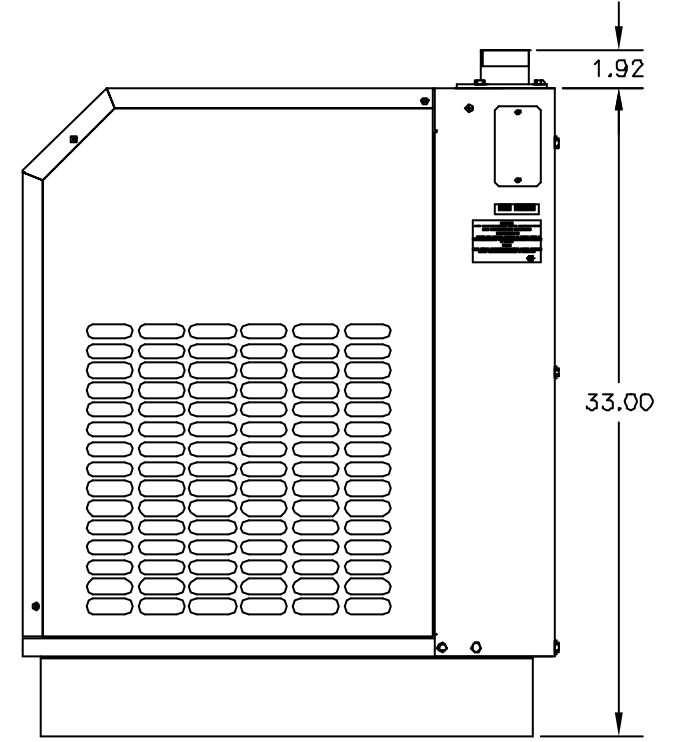
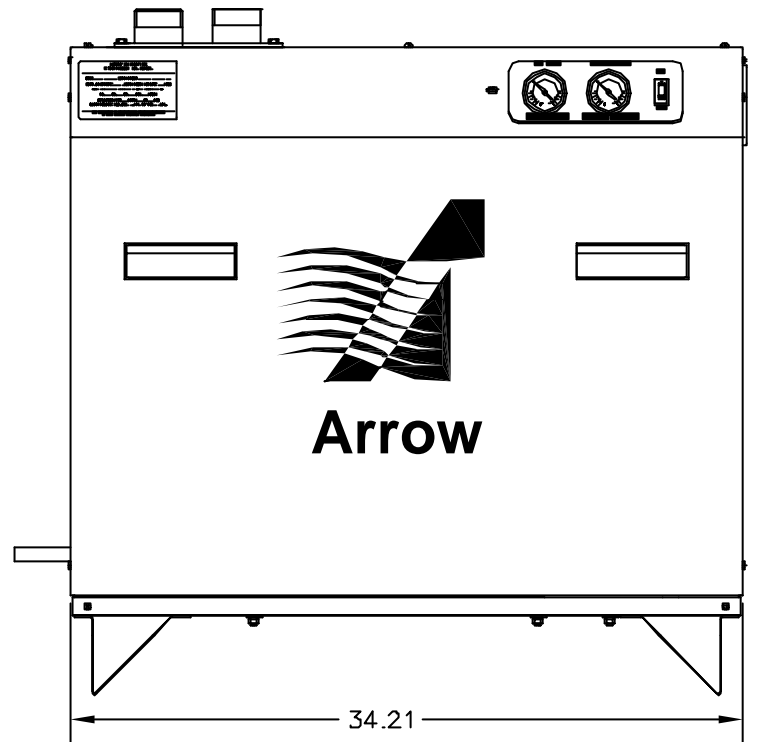
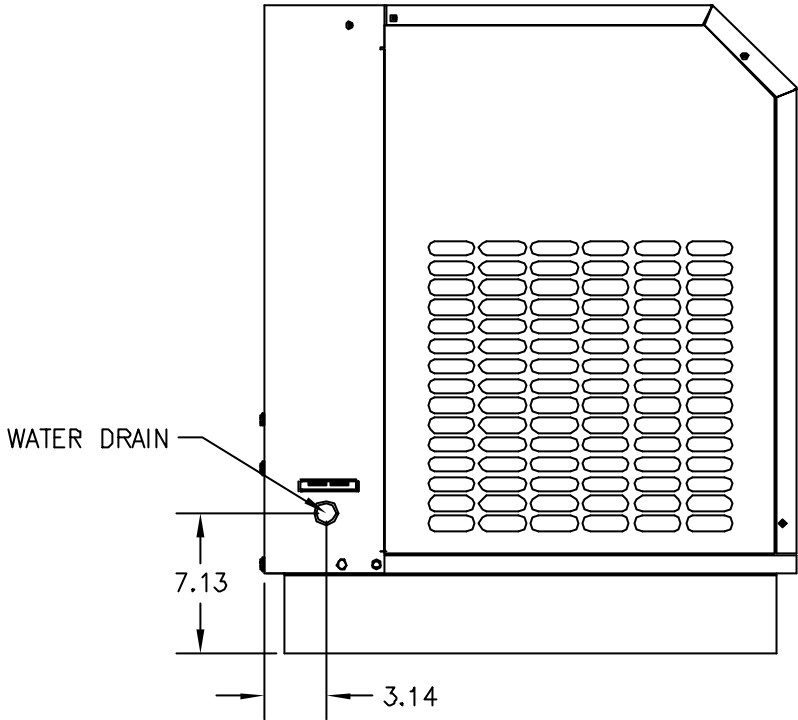


4 3 2 1

D




C



B

A

4 3 2 1

				STANDARD TOLERANCE UNLESS OTHERWISE SPECIFIED		FINISH		 DESCRIPTION <b>DRYER, H/T 80 SCFM 230V/1/60 R-134A</b>	
				$X = \pm .030"$ $XX = \pm .020"$ $XXX = \pm .006"$ ANGULAR = $\pm 1^\circ$		TREATMENT			
				REMOVE ALL BURRS BREAK SHARP EDGES		MATERIAL		SCALE	
B		8/01/04	REDRAWN WITH NEW CABINET DESIGN					DATE	REV
REV	ECN	DATE	DESCRIPTION	APPROVED				4/19/05	C NTS B
REVISIONS								DATE	PART NO.
									F-3531-2

DO NOT SCALE DRAWING