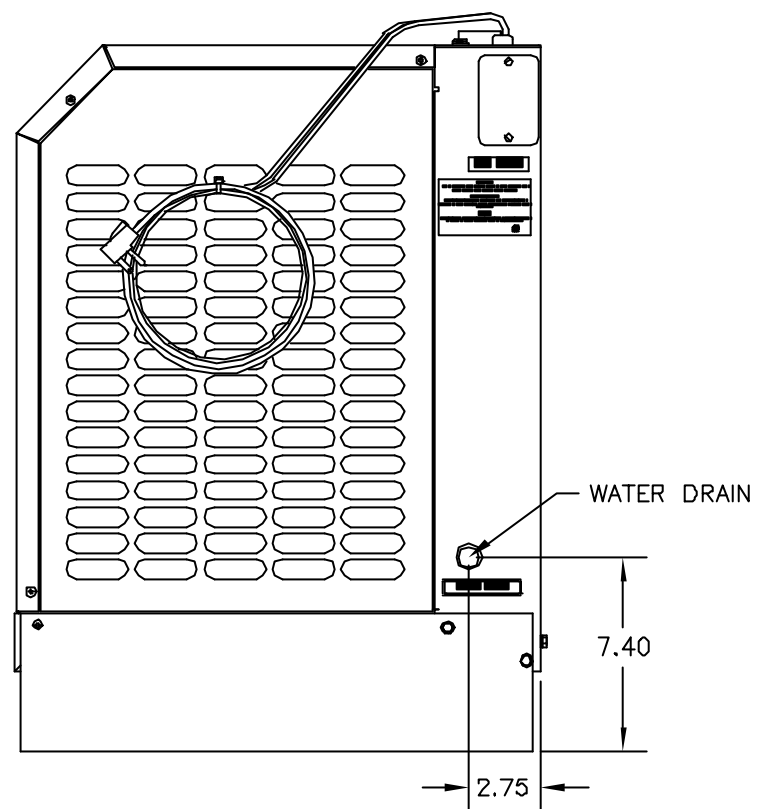
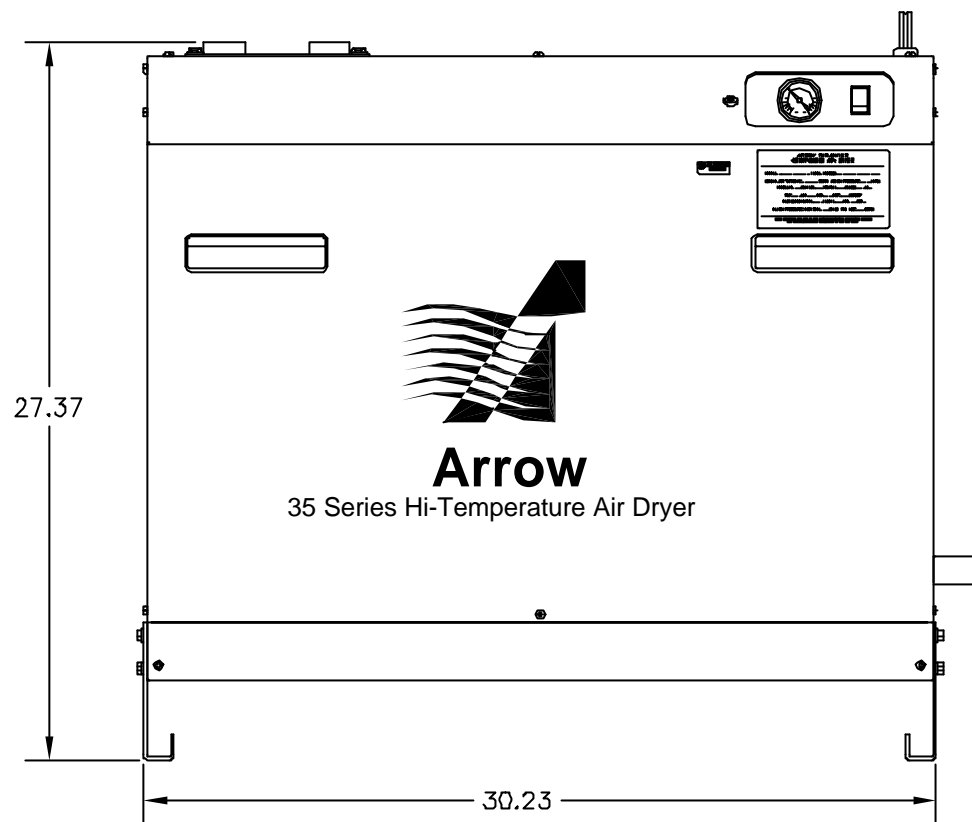
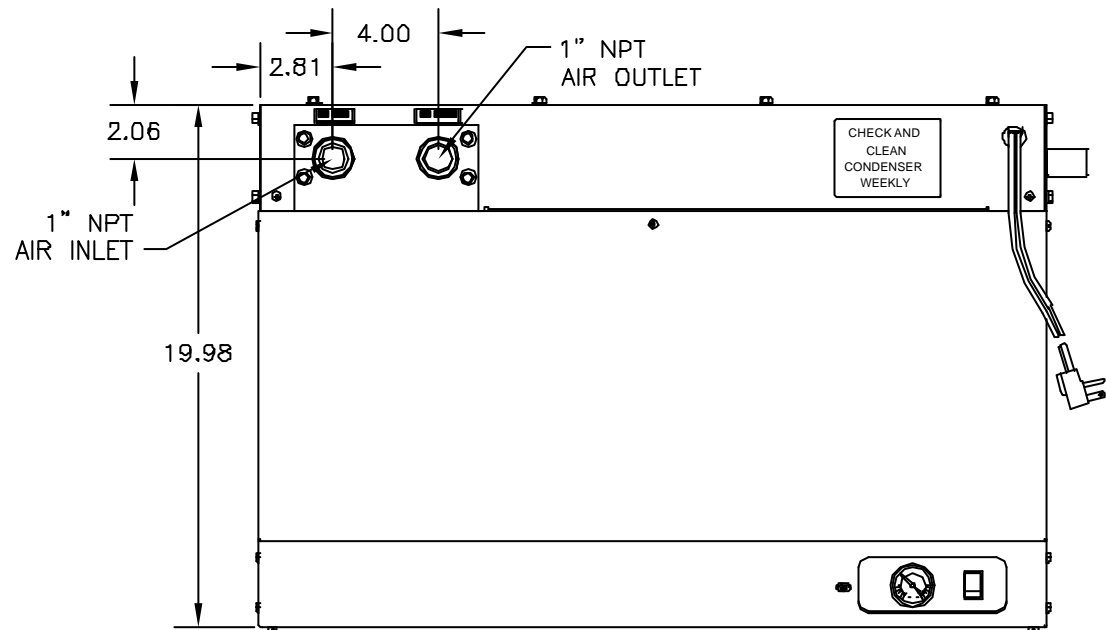


4

3

2

1



REV	ECN	DATE	DESCRIPTION	APPROVED
B		4/23/04	REDRAWN PER NEW FRAME	
A			REDRAWN PER NEW R134-A CONDENSING UNIT	
REVISIONS				

STANDARD TDLRANCE UNLESS OTHERWISE SPECIFIED	FINISH
X = ± .030" XX = ± .020" XX = ± .005" ANGULAR = ± 1°	TREATMENT
REMOVE ALL BURRS BREAK SHARP EDGES	MATERIAL
DO NOT SCALE DRAWING	

	DESCRIPTION			
	DRYER, H/T 50SCFM 1HP R-134A			
DRAWN BY R. ACOSTA	DATE 4/19/05	SCALE C NTS	REV B	
CHECKED BY	DATE	PART NO. F-3530-1		

4

3

2

1

D

D

C

C

B

B

A

A