

4

3

2

1

D

D

C

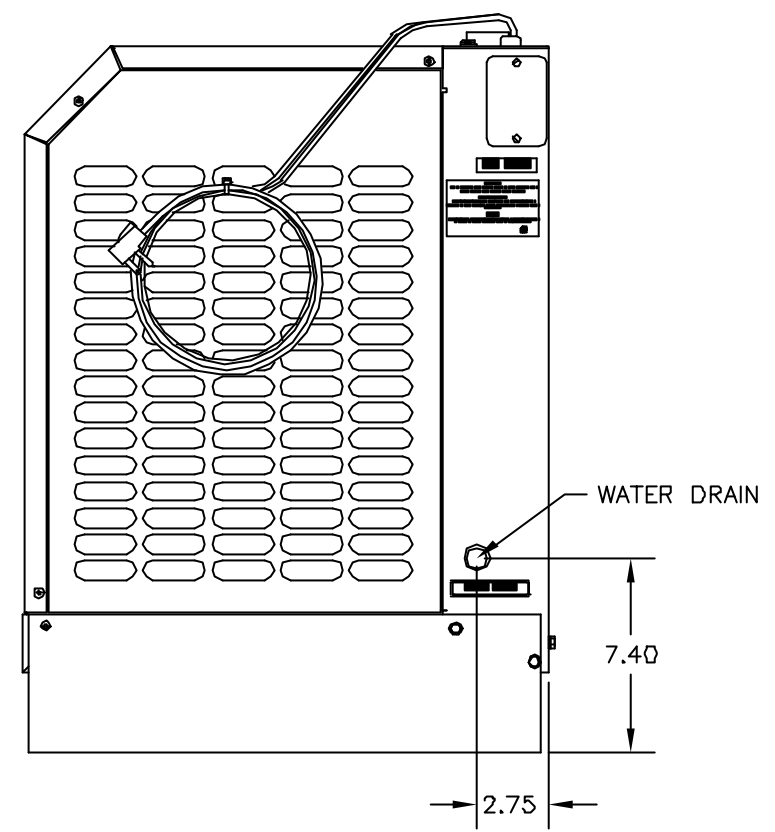
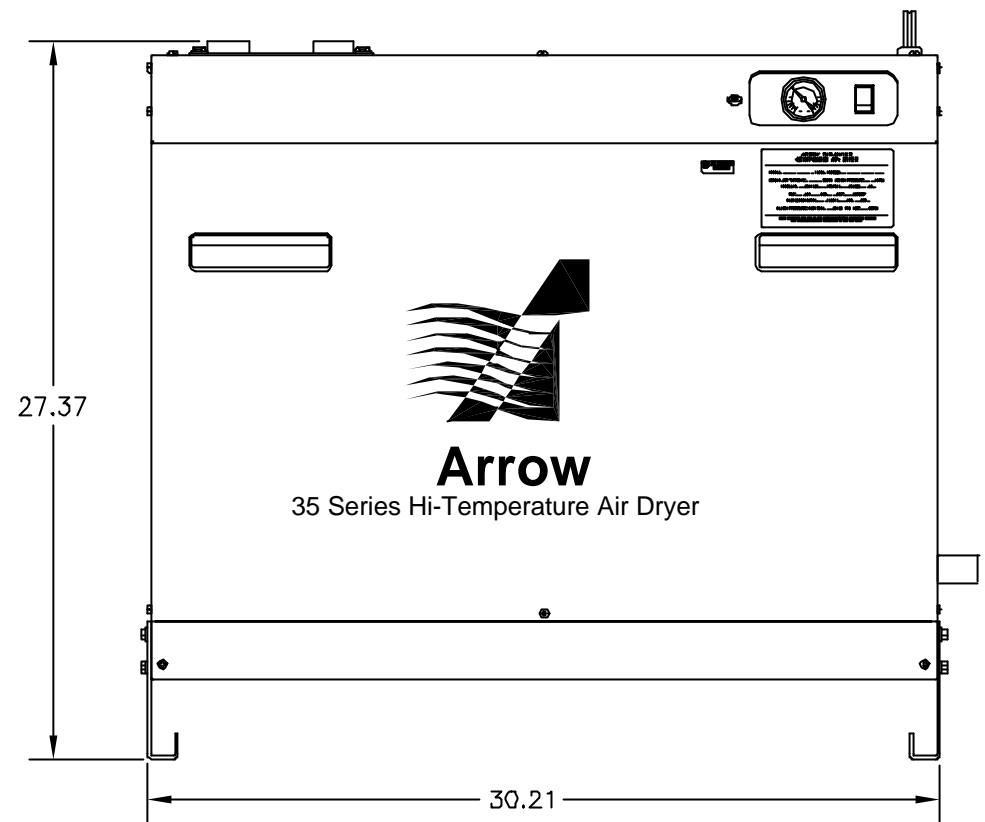
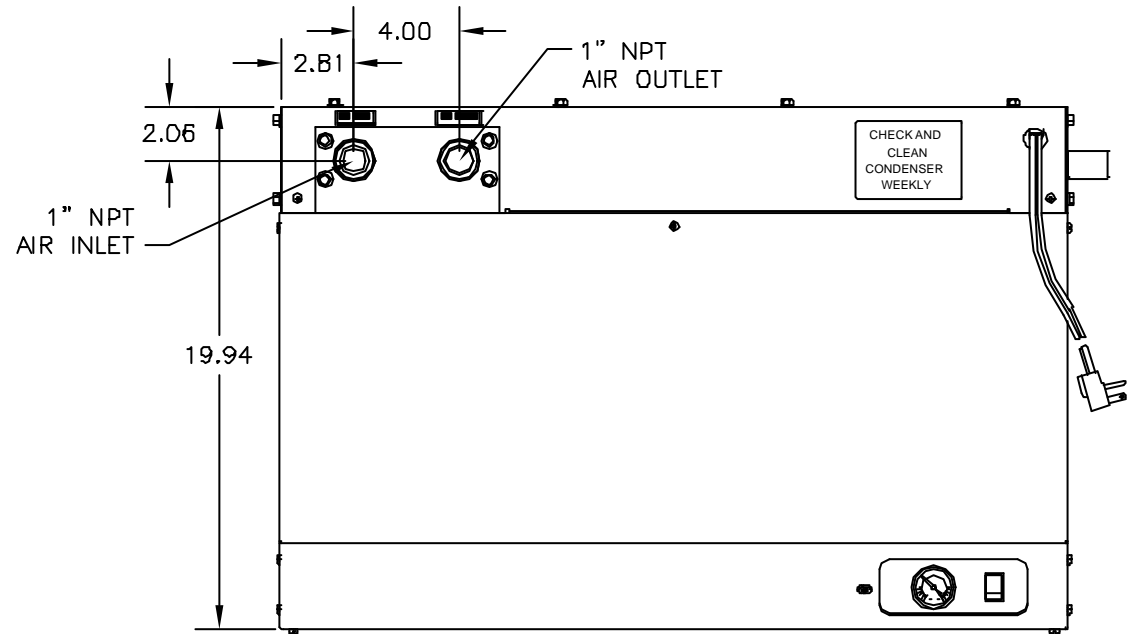
C

B

B


A

A



REV	ECN	DATE	DESCRIPTION	APPROVED
B		4/19/04	REDRAWN PER NEW FRAME	
A		3/22/03	REDRAWN PER NEW R134-A CONDENSING UNIT	
REVISIONS				

STANDARD TDLRANCE UNLESS OTHERWISE SPECIFIED	FINISH
X = ± .030" XX = ± .020" XX = ± .005" ANGULAR = ± 1°	TREATMENT
REMOVE ALL BURRS BREAK SHARP EDGES	MATERIAL
<b>DO NOT SCALE DRAWING</b>	

 Arrow Pneumatics	DESCRIPTION		
	AIR DRYER H/T 30 SCFM 1/2HP R134A		
DRAWN BY <b>R. ACOSTA</b>	DATE 4/19/05	SCALE C NTS	REV B
CHECKED BY	DATE	PART NO. F-3529-1	