

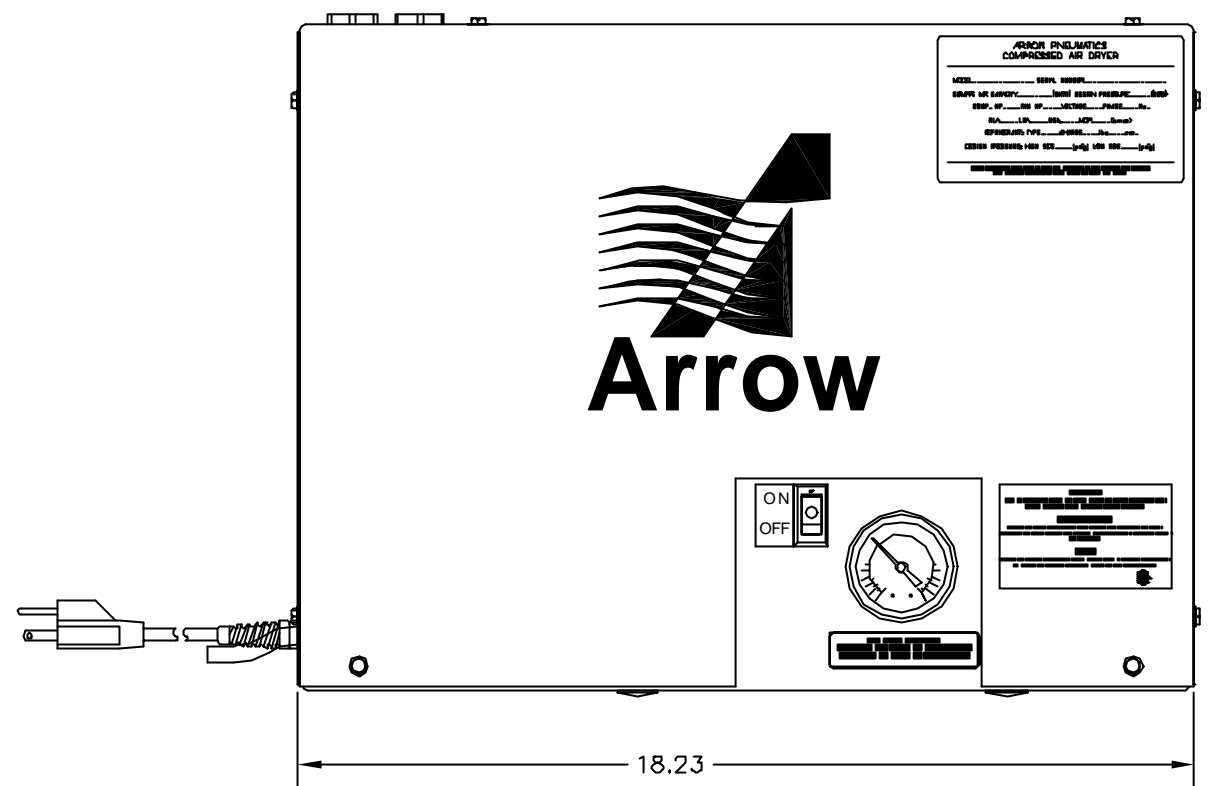
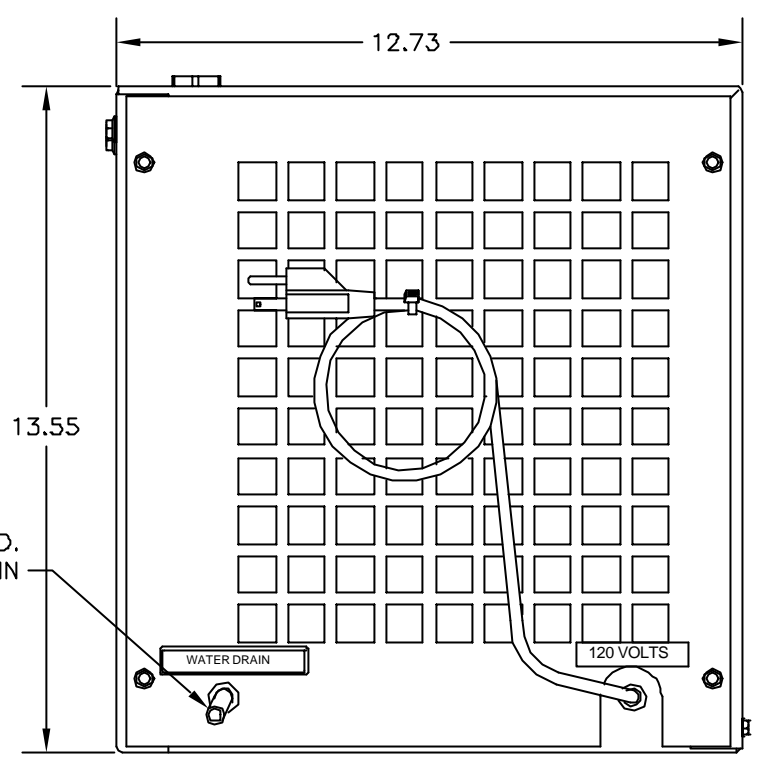
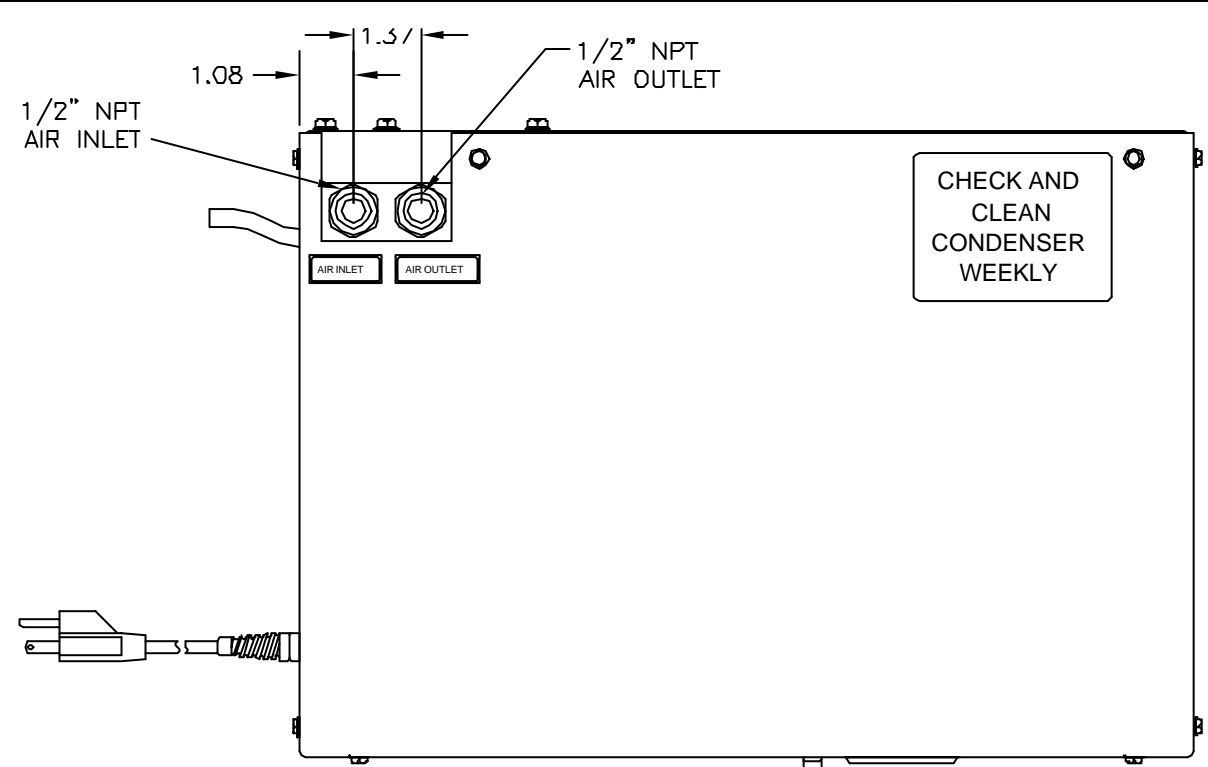
4 3 2 1

D

C

B

A



					STANDARD TOLERANCE UNLESS OTHERWISE SPECIFIED	FINISH	DESCRIPTION		
					X = ± .030"	TREATMENT	20 SCFM AIR DRYER		
					XX = ± .020"	MATERIAL	Arrow Pneumatics		
					XX = ± .005"		DRAWN BY R. ACOSTA		
					ANGULAR = ± 1°		DATE 4/18/05		
					REMOVE ALL BURRS BREAK SHARP EDGES		SCALE NTS		
					DO NOT SCALE DRAWING		REV		
REV	EDN	DATE	DESCRIPTION	APPROVED			PART NO. F-20-1		
REVISIONS									

4 3 2 1