

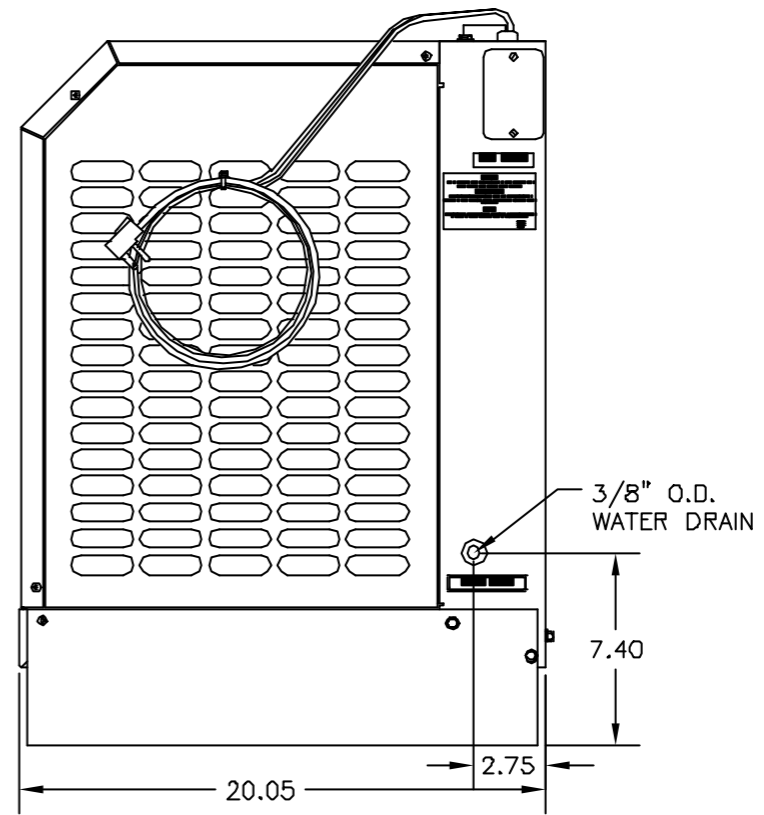
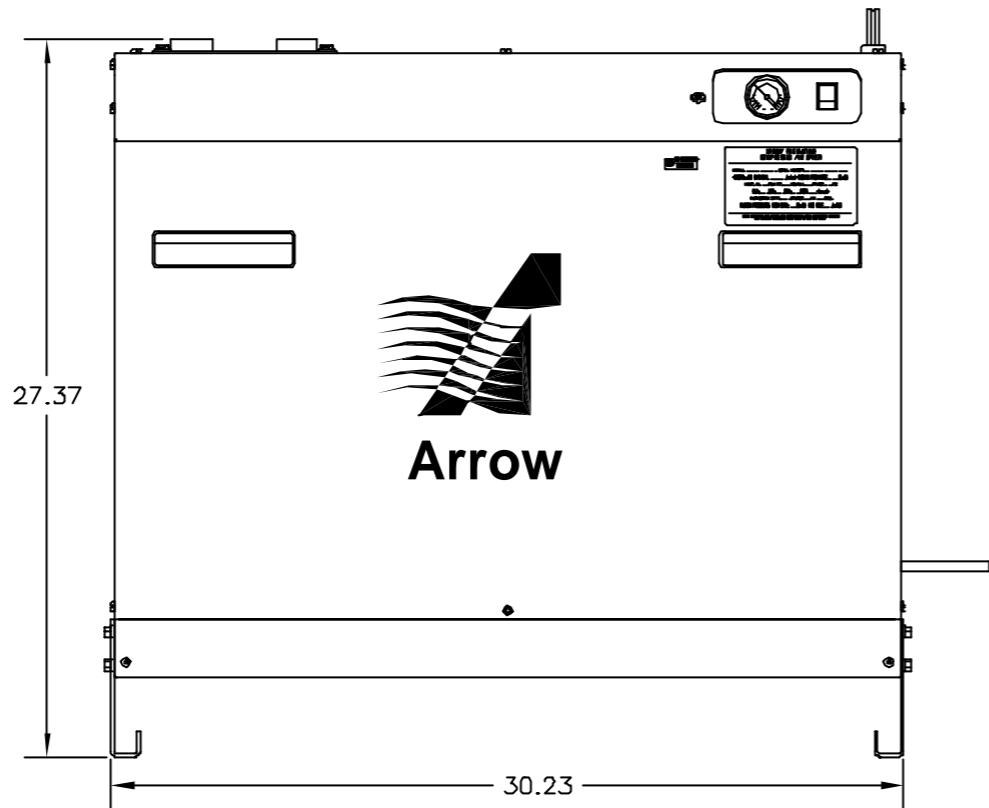
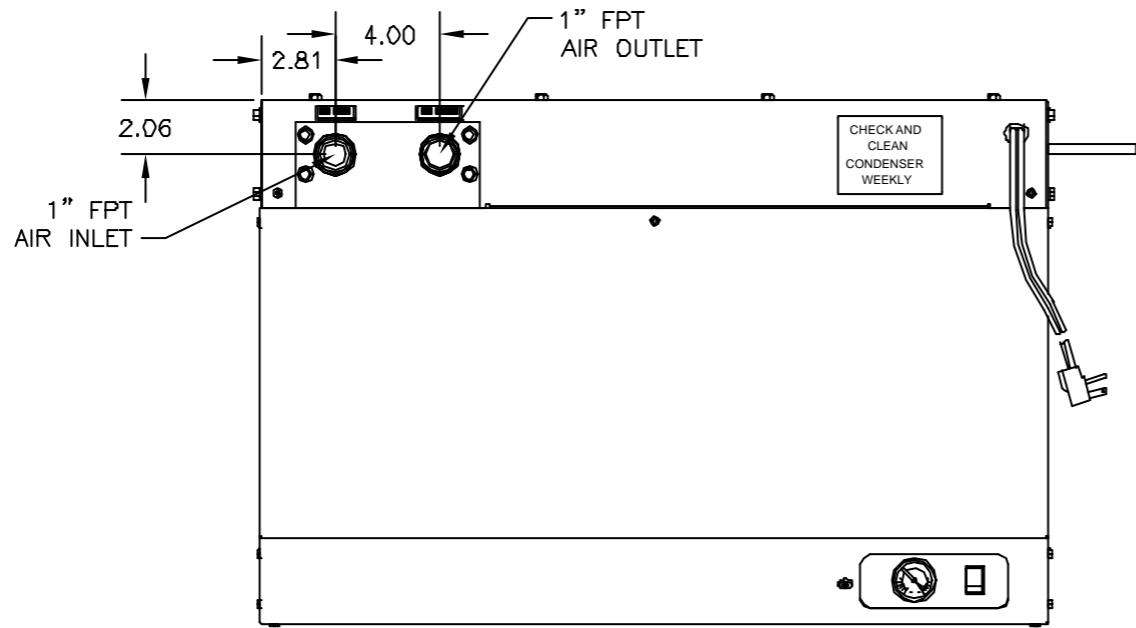
4 3 2 1

D D

C C


B B

A A



REV	ECN	DATE	DESCRIPTION	APPROVED
B		4/20/04	REDRAWN PER NEW FRAME	
A		3/20/04	REDRAWN PER NEW R134-A CONDENSING UNIT	
REVISIONS				

STANDARD TDLRANCE UNLESS OTHERWISE SPECIFIED	FINISH
X = ± .030"	TREATMENT
XX = ± .020"	MATERIAL
XXX = ± .005"	
ANGULAR = ± 1°	
REMOVE ALL BURRS BREAK SHARP EDGES	
DO NOT SCALE DRAWING	

		DESCRIPTION		
		70 SCFM AIR DRYER 50 SERIES		
DRAWN BY	DATE	SCALE	REV	
R. ACOSTA	4/19/05	C NTS	B	
CHECKED BY	DATE	PART NO.		
		5031-1		

4 3 2 1