

D

C

B

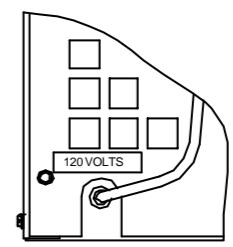
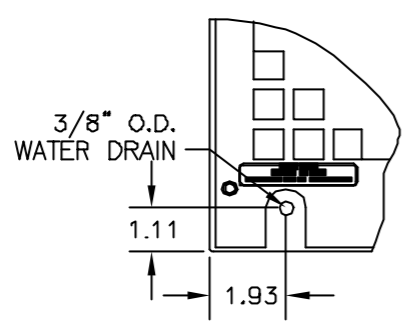
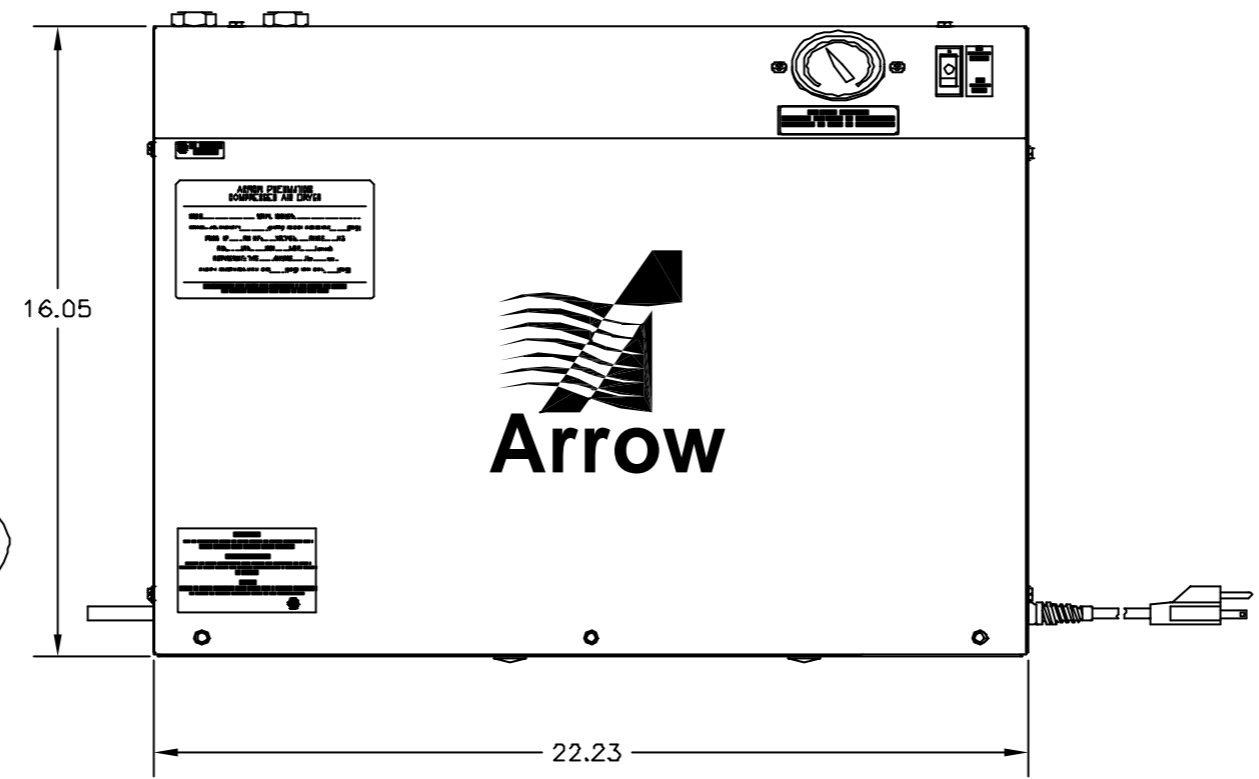
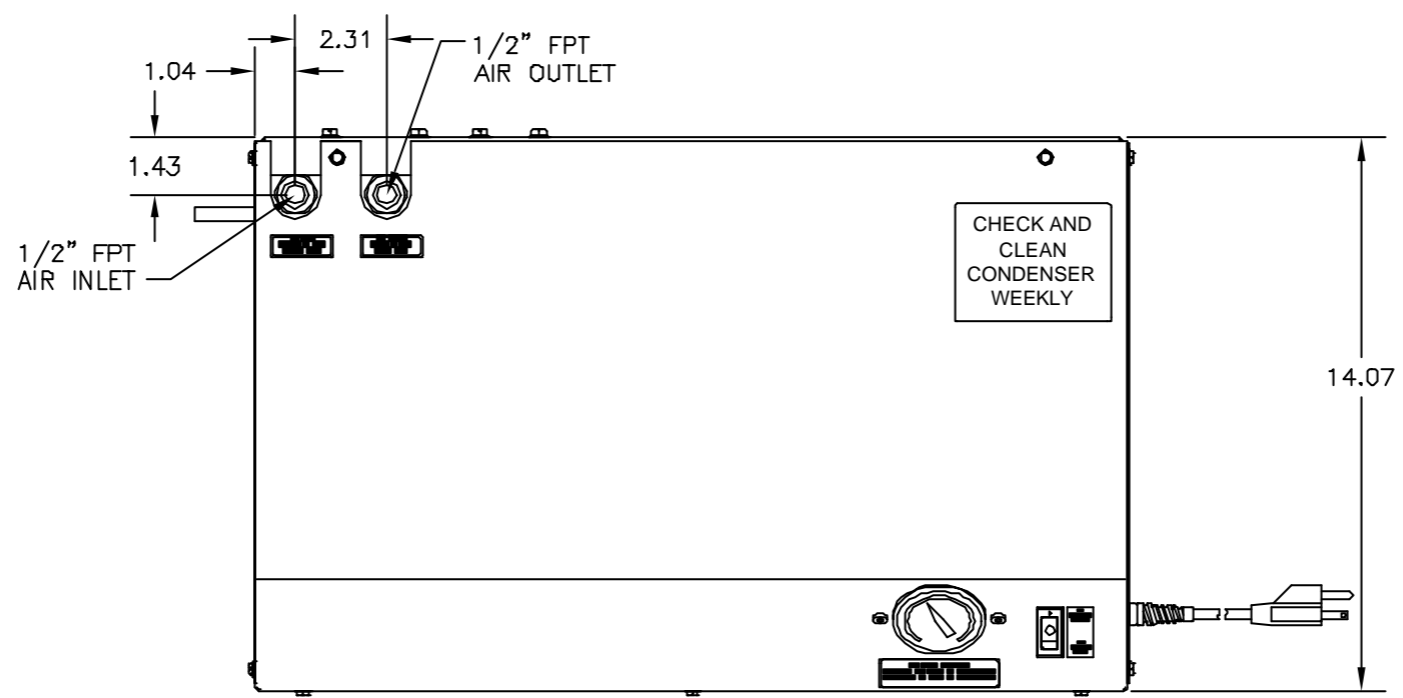
A


4

3

2

1



REV	ECN	DATE	DESCRIPTION	APPROVED	STANDARD TDLERANCE UNLESS OTHERWISE SPECIFIED	FINISH	DESCRIPTION			
B		7/21/04	REVISED PER NEW SLOPED CABINET		X = ± .030" XX = ± .020" XX = ± .005" ANGULAR = ± 1°	TREATMENT	30 SCFM AIR DRYER 50 SERIES			
A		6/07/01	CHANGED LABEL PLACEMENT GUIDE FROM 14134 TO 13907		REMOVE ALL BURRS BREAK SHARP EDGES	MATERIAL				
REVISIONS					DO NOT SCALE DRAWING		DRAWN BY R. ACOSTA	DATE 4/19/05	SCALE C NTS	REV B
							CHECKED BY	DATE	PART NO. 5029-1	

4

3

2

1

D

C

B

A